

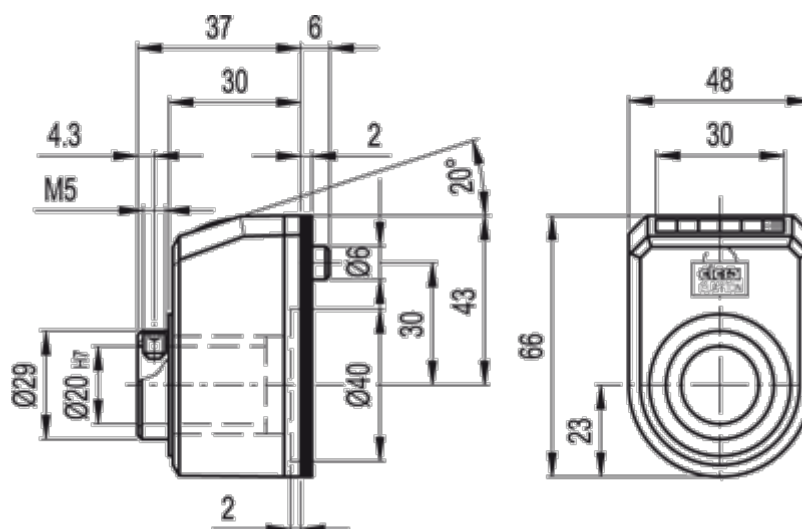
# Data Sheet



Article number: 2307083182

Description: E+G Direct drive position indicator  
DD52R-FN-0002.0-S-C3 (Grey)

## Measures



Max rpm = 1250